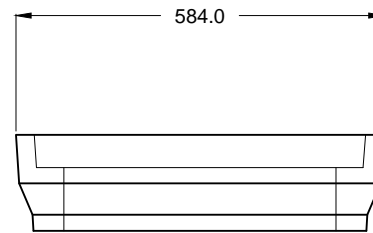
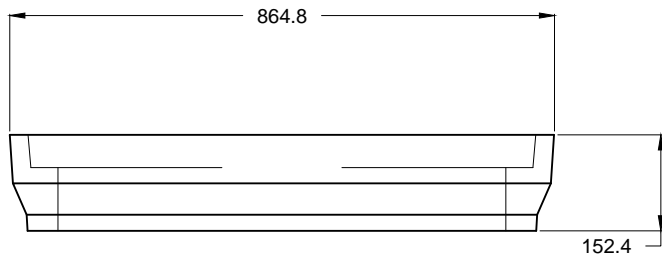
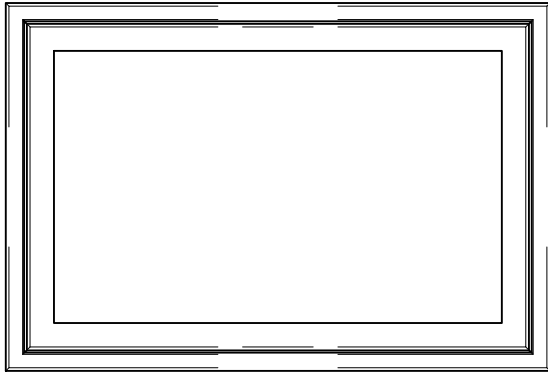


GENERAL NOTES

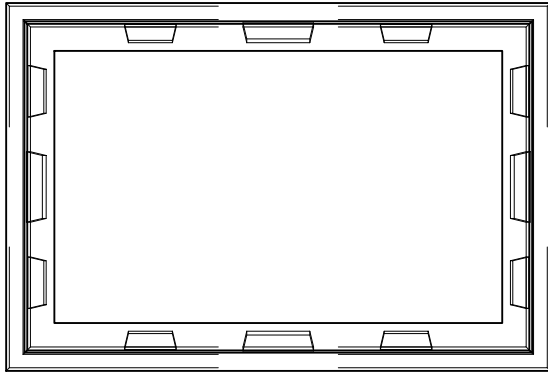
- PRODUCT MANUFACTURED IN ACCORDANCE WITH CSA A23.4
- DESIGNED FOR BOULEVARD (OFF-ROAD) USE - H-20 STATIC LOADING
- STEEL PRODUCTS MANUFACTURED UNDER CSA W47.1 IN ACCORDANCE TO CSA W59
- SITE INSTALLATION, BACKFILLING & SUITABILITY FOR USE IS THE RESPONSIBILITY OF OTHERS



T266 SERVICE BOX

- RISER

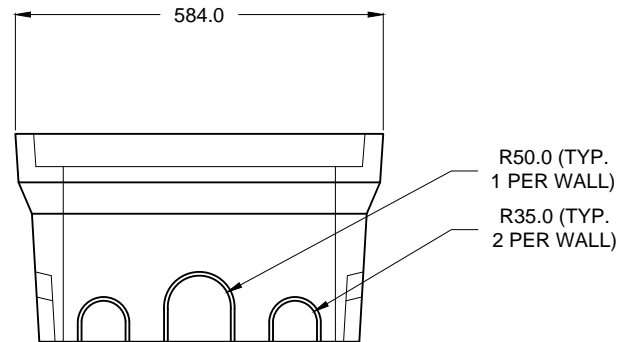
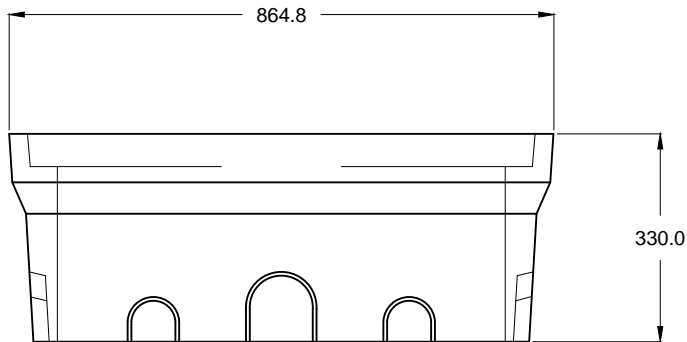
DRAWN BY: AY	DIMENSIONS IN MILLIMETERS UNLESS OTHERWISE SPECIFIED	DWG #: SB T266
DATE: 27-08-2013	TOLERANCES ± 5	



GENERAL NOTES

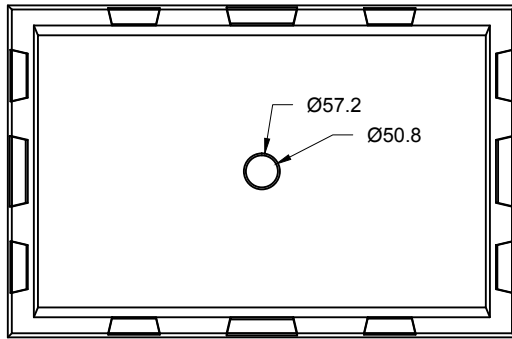
- PRODUCT MANUFACTURED IN ACCORDANCE WITH CSA A23.4
- DESIGNED FOR BOULEVARD (OFF-ROAD) USE - H-20 STATIC LOADING
- STEEL PRODUCTS MANUFACTURED UNDER CSA W47.1 IN ACCORDANCE TO CSA W59
- SITE INSTALLATION, BACKFILLING & SUITABILITY FOR USE IS THE RESPONSIBILITY OF OTHERS

WEIGHT: 78 kgs / 173 lbs



T266 SERVICE BOX

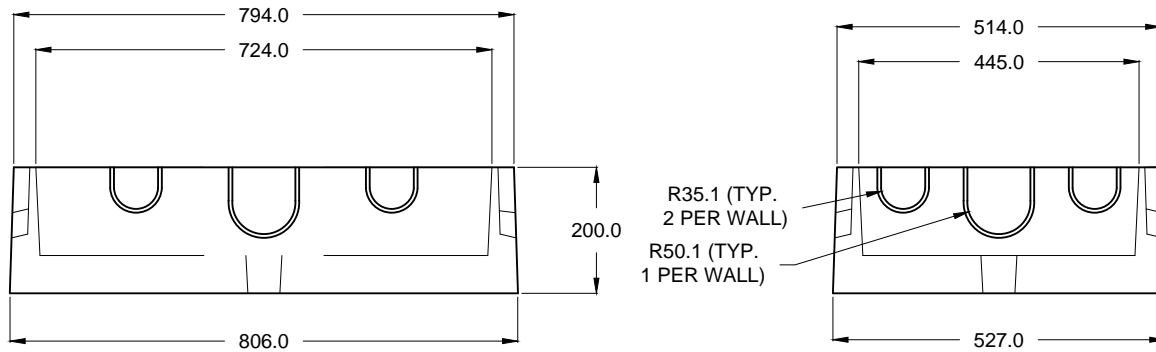
DRAWN BY: AY	DIMENSIONS IN MILLIMETERS UNLESS OTHERWISE SPECIFIED	DWG #: SB
DATE: 27-08-2013	TOLERANCES ± 5	T266



GENERAL NOTES

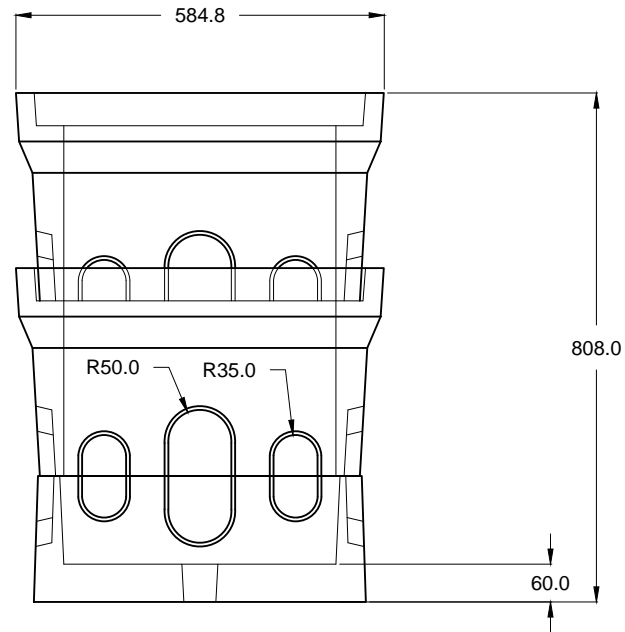
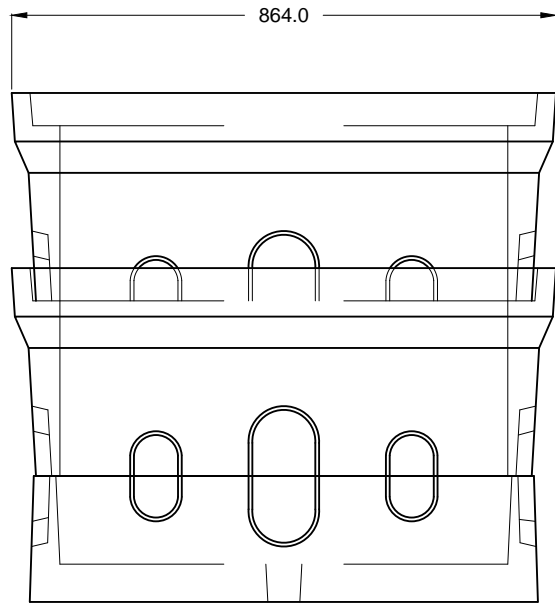
- PRODUCT MANUFACTURED IN ACCORDANCE WITH CSA A23.4
- DESIGNED FOR BOULEVARD (OFF-ROAD) USE - H-20 STATIC LOADING
- STEEL PRODUCTS MANUFACTURED UNDER CSA W47.1 IN ACCORDANCE TO CSA W59
- SITE INSTALLATION, BACKFILLING & SUITABILITY FOR USE IS THE RESPONSIBILITY OF OTHERS

WEIGHT: 89 kgs / 197 lbs



T266 SERVICE BOX
 - BASE

DRAWN BY: AY	DIMENSIONS IN MILLIMETERS UNLESS OTHERWISE SPECIFIED	DWG #: SB
DATE: 27-08-2013	TOLERANCES ± 5	T266



GENERAL NOTES

- PRODUCT MANUFACTURED IN ACCORDANCE WITH CSA A23.4
- DESIGNED FOR BOULEVARD (OFF-ROAD) USE - H-20 STATIC LOADING
- STEEL PRODUCTS MANUFACTURED UNDER CSA W47.1 IN ACCORDANCE TO CSA W59
- SITE INSTALLATION, BACKFILLING & SUITABILITY FOR USE IS THE RESPONSIBILITY OF OTHERS

TOTAL WEIGHT: 276 kgs / 608 lbs



T266 SERVICE BOX
- BASE & RISERS STACKED

DRAWN BY: AY	DIMENSIONS IN MILLIMETERS UNLESS OTHERWISE SPECIFIED	DWG #: SB
DATE: 27-08-2013	TOLERANCES ± 5	T266