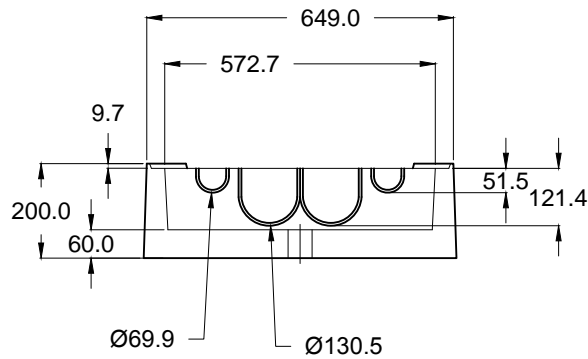
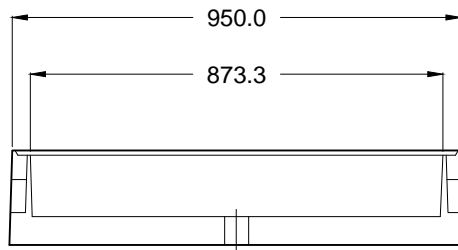
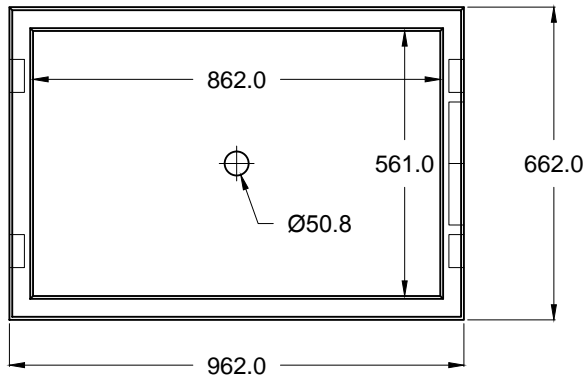


GENERAL NOTES

- PRODUCT MANUFACTURED IN ACCORDANCE WITH CSA A23.4
- DESIGNED FOR BOULEVARD (OFF ROAD) USE - H-20 STATIC LOADING
- STEEL PRODUCTS MANUFACTURED UNDER CSA W47.1 IN ACCORDANCE TO CSA W59
- SITE INSTALLATION, BACKFILLING & SUITABILITY FOR USE IS RESPONSIBILITY OF OTHERS

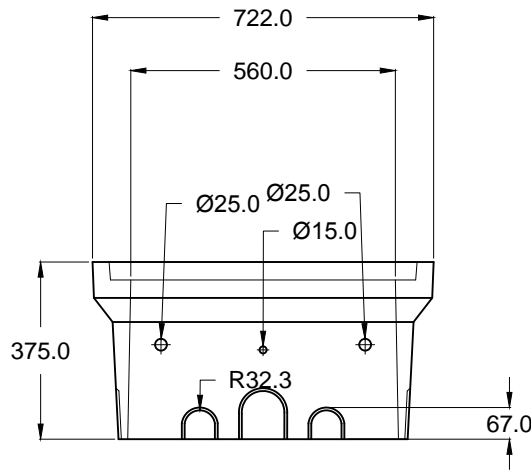
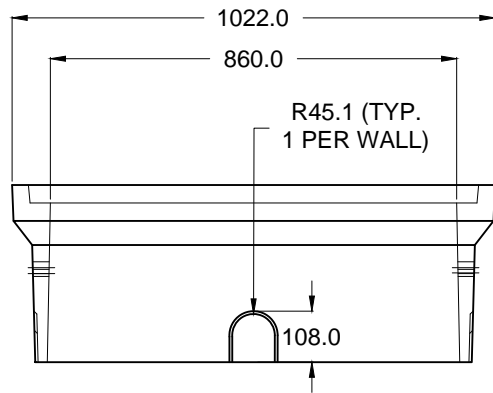
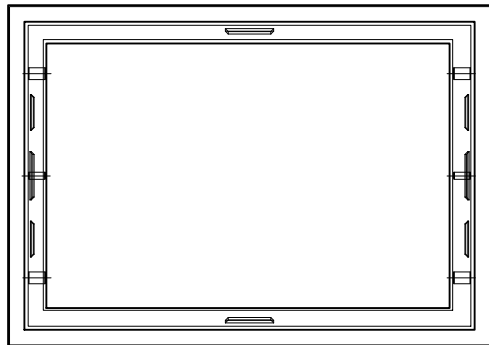
WEIGHT: 131 kgs (290 lbs)



5686 SERVICE BOX

- BASE

| | | |
|-----------------------|---|----------------|
| DRAWN BY: AY | DIMENSIONS IN MILLIMETERS TOLERANCES ± 5 | DWG #: SB 5686 |
| DATE: 27-08-13 | CHECKED BY: | |



GENERAL NOTES

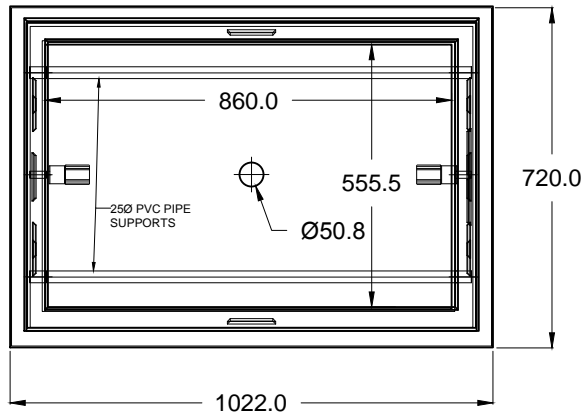
- PRODUCT MANUFACTURED IN ACCORDANCE WITH CSA A23.4
- DESIGNED FOR BOULEVARD (OFF ROAD) USE - H-20 STATIC LOADING
- STEEL PRODUCTS MANUFACTURED UNDER CSA W47.1 IN ACCORDANCE TO CSA W59
- SITE INSTALLATION, BACKFILLING & SUITABILITY FOR USE IS RESPONSIBILITY OF OTHERS

WEIGHT: 98 kgs (220 lbs)

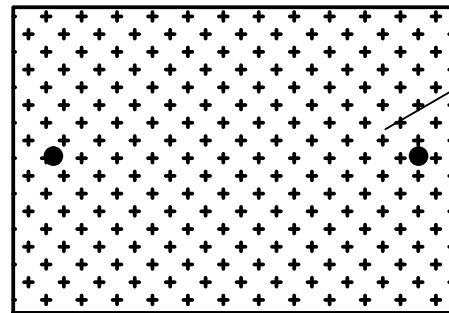


5686 SERVICE BOX

| | | |
|----------------|---|-----------|
| DRAWN BY: AY | DIMENSIONS IN MILLIMETERS TOLERANCES ± 5 | DWG #: SB |
| DATE: 27-08-13 | CHECKED BY: | 5686 |

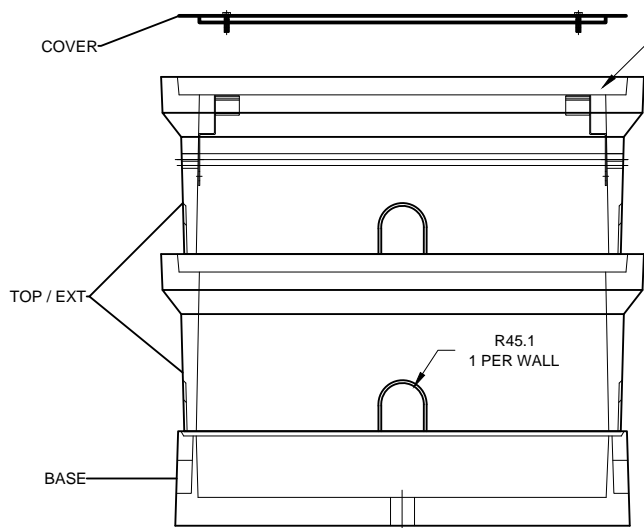


TOP VIEW

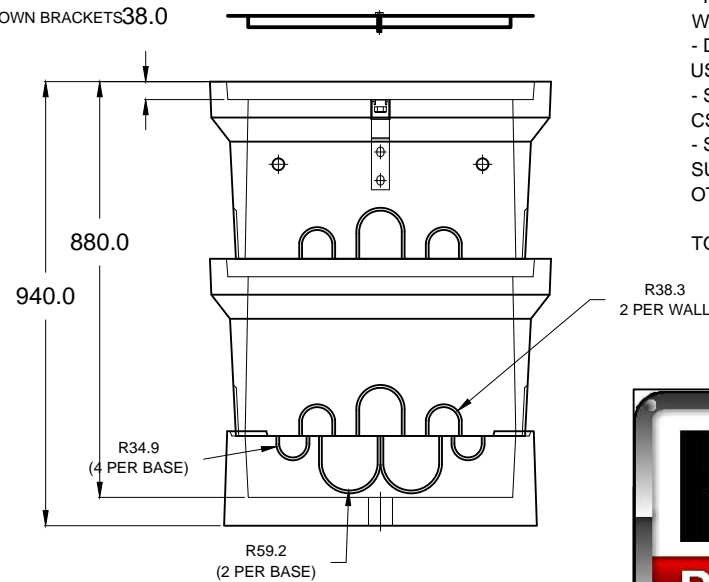


TOP VIEW - COVER

STEEL CHECKER PLATE LID
 OPTIONAL: GALVANIZING, BOLT DOWN ASSY,
 PAD-LOCK RECESS, WELD MARKINGS - EG. "ELEC",
 450 RR HOLE



FRONT VIEW



SIDE VIEW

GENERAL NOTES

- PRODUCT MANUFACTURED IN ACCORDANCE WITH CSA A23.4
- DESIGNED FOR BOULEVARD (OFF ROAD) USE - H-20 STATIC LOADING
- STEEL PRODUCTS MANUFACTURED UNDER CSA W47.1 IN ACCORDANCE TO CSA W59
- SITE INSTALLATION, BACKFILLING & SUITABILITY FOR USE IS RESPONSIBILITY OF OTHERS

TOTAL WEIGHT: 360 kgs (795 lbs)



5686 SERVICE BOX WITH BOLT DOWN & PVC PIPE SUPPORTS

| | | |
|----------------|---|--------------|
| DRAWN BY: AY | DIMENSIONS IN MILLIMETERS TOLERANCES ± 5 | DWG #: SB |
| DATE: 27-08-13 | CHECKED BY: | 5686 |