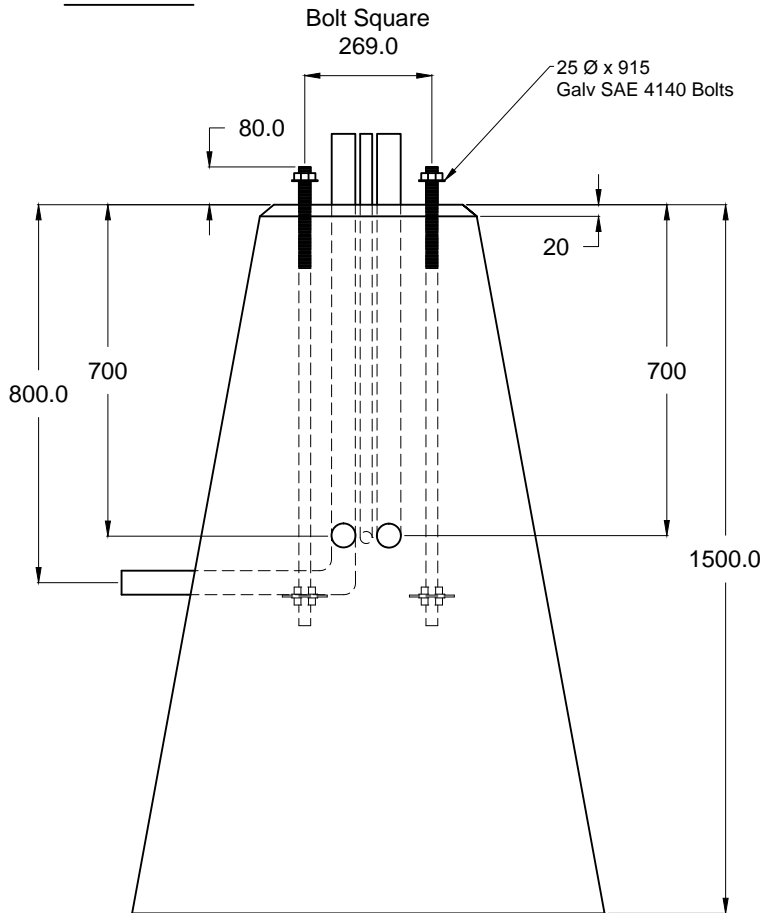


TOP VIEW



SIDE VIEW

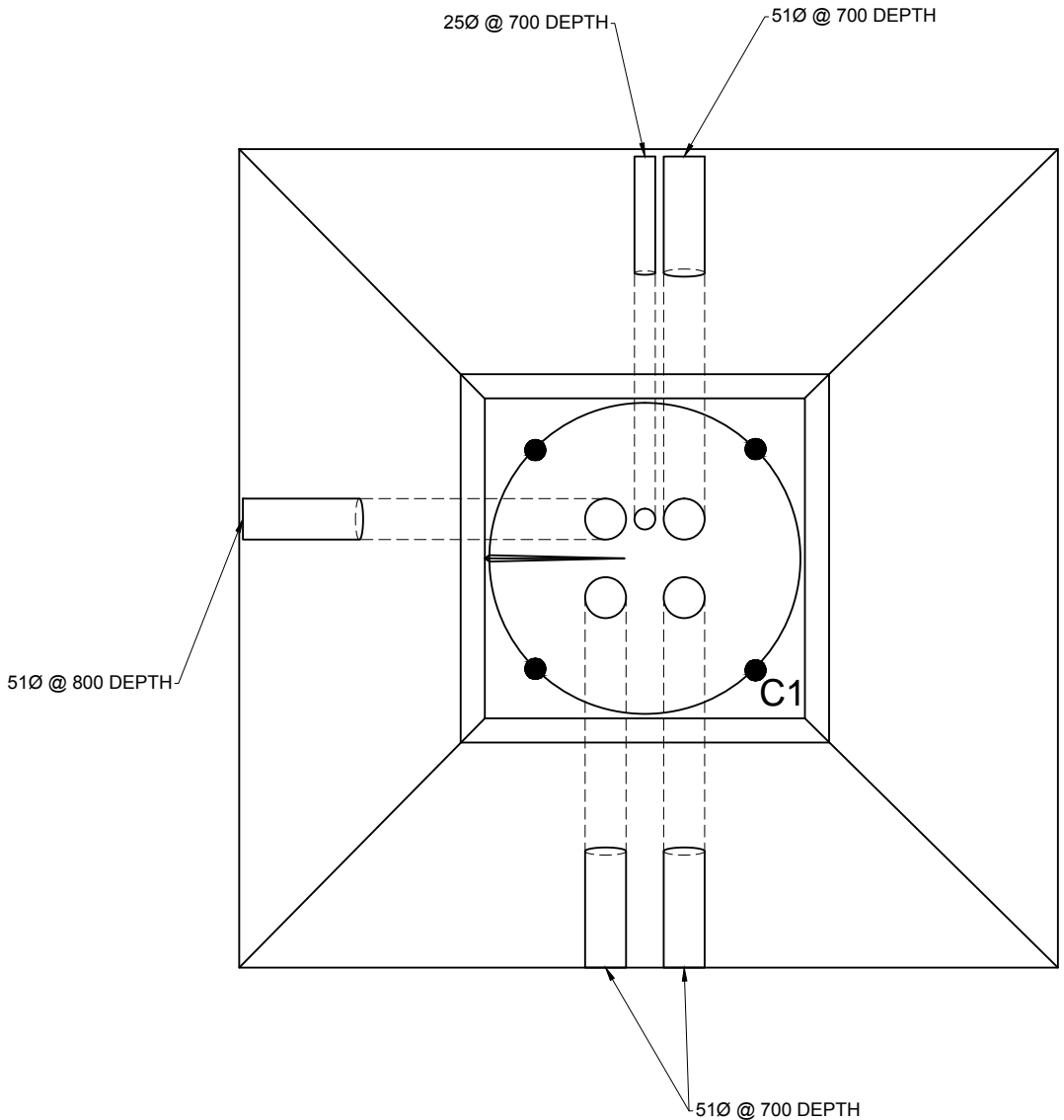
GENERAL NOTES

- Min. Concrete Strength: 30 MPa @ 28 Days
- Manufactured in accordance with CSA A23.4
- Custom Bolt Square & Bolts Available
- Site Insallation, Backfilling & Suitability for use is the responsibility of others



TYPE C1 - SERVICE BASE

DRAWN BY: AY	DIMENSIONS IN MILLIMETERS UNLESS OTHERWISE SPECIFIED	DWG #:
DATE: 27-Aug-13	TOLERANCES ± 5	SB C1



GENERAL NOTES

- Min. Concrete Strength: 30 MPa @ 28 Days
- Manufactured in accordance with CSA A23.4
- Custom Bolt Square & Bolts Available
- Site Insallation, Backfilling & Suitability for use is the responsibility of others



TYPE C1 - SERVICE BASE

DRAWN BY: AY	DIMENSIONS IN MILLIMETERS UNLESS OTHERWISE SPECIFIED	DWG #: SB
DATE: 27-Aug-13	TOLERANCES ± 5	C1